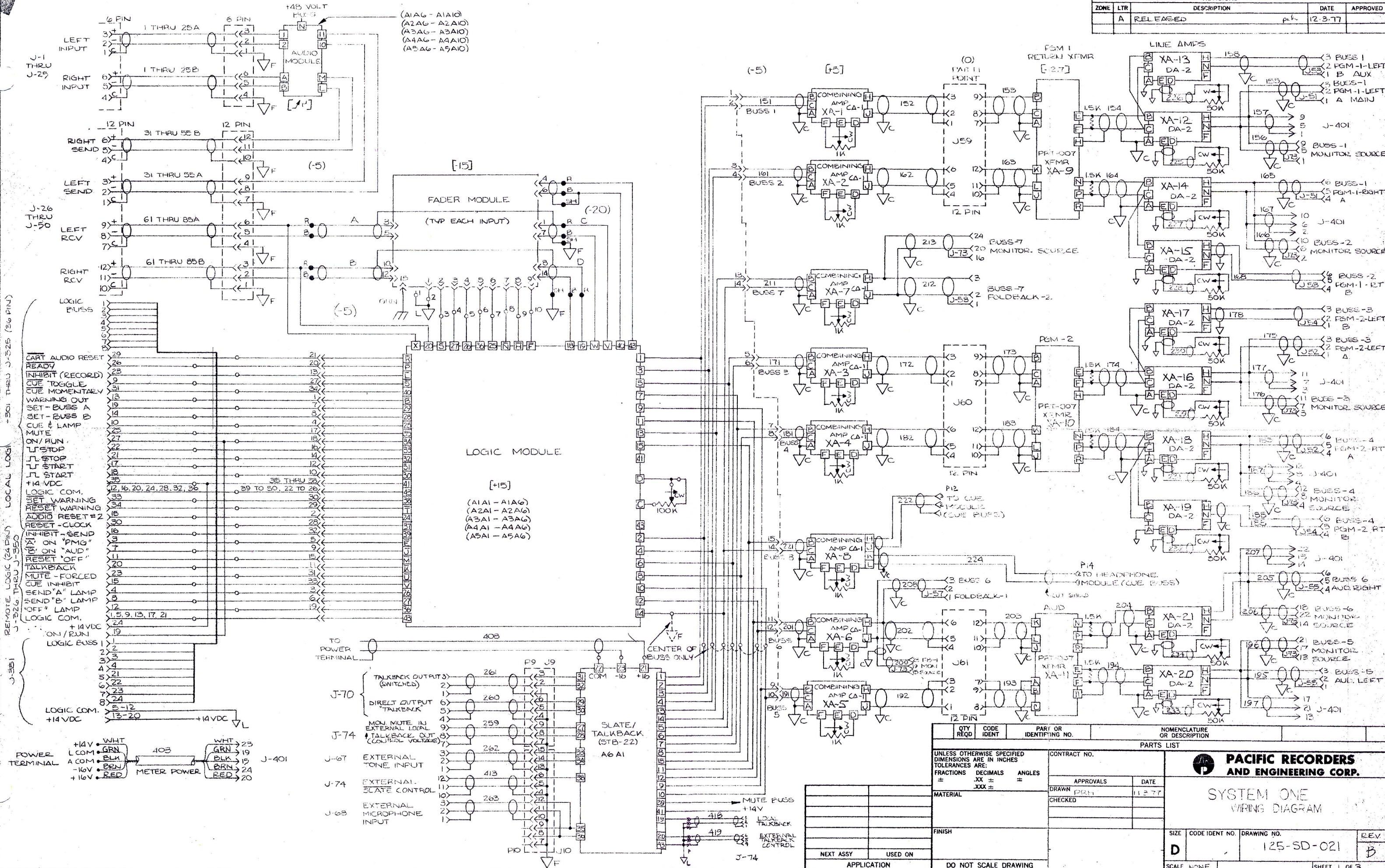


NOTE: Shaded modules are included as part of the basic main frame.

MODULE PLACEMENT
SYSTEM ONE

REVISIONS				
ZONE	LTR	DESCRIPTION	DATE	APPROVED
A	RELEASED		12-3-77	



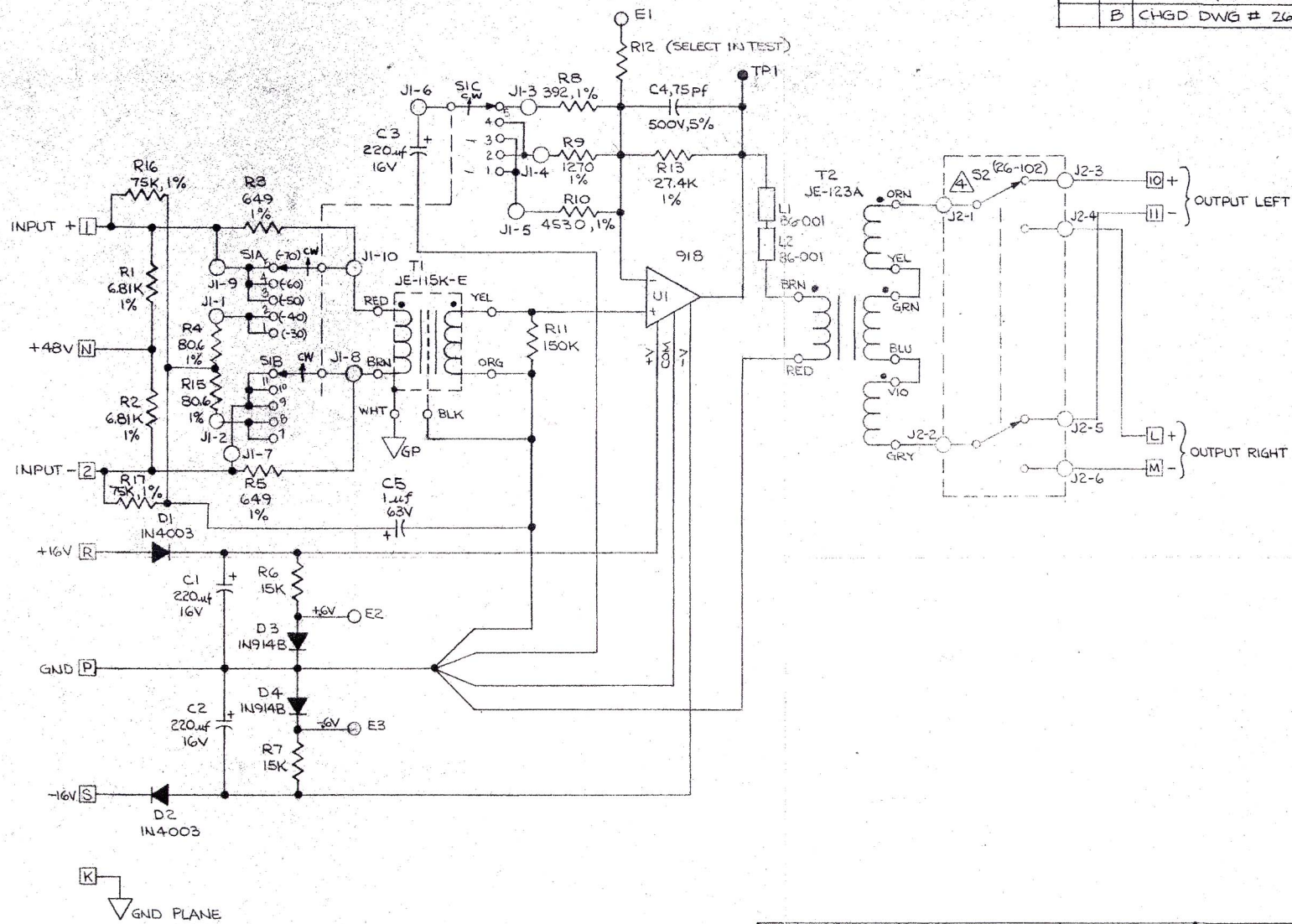
QTY REQD		CODE IDENT	PART OR IDENTIFYING NO.	NOMENCLATURE OR DESCRIPTION
PARTS LIST				
UNLESS OTHERWISE SPECIFIED DIMENSIONS ARE IN INCHES TOLERANCES ARE:				
FRACTIONS	DECIMALS	ANGLES		
±	.XX ±	±		
	.XXX ±			
MATERIAL		CONTRACT NO.		
FINISH		APPROVALS		
NEXT ASSY		DATE		
USED ON		DRAWN PRH		
APPLICATION		CHECKED		
		11-2-77		
		DO NOT SCALE DRAWING		
		SCALE NONE		
		SHEET 1 OF 3		

PACIFIC RECORDERS AND ENGINEERING CORP.

SYSTEM ONE
WIRING DIAGRAM

SIZE CODE IDENT NO. DRAWING NO. REV.
D 125-SD-021 B

ZONE		REVISIONS		DATE	APPROVED
C,3	A	DELETE R14	(2.7K)	7-6-77	G.T.N.
	B	ADDED R15-17	F C5	8-14-77	
	B	CHGD DWG #	266-SD-002	11-21-77	

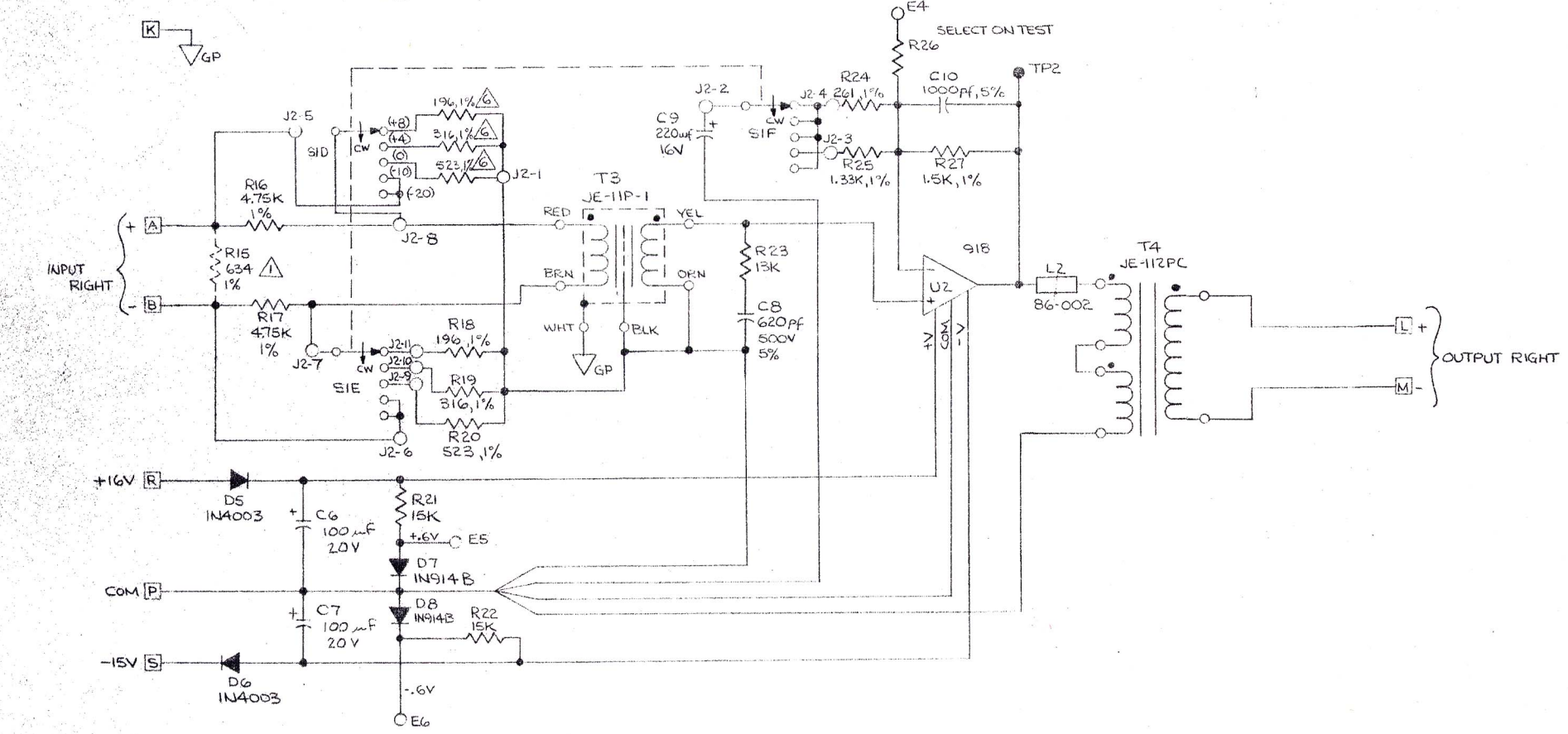
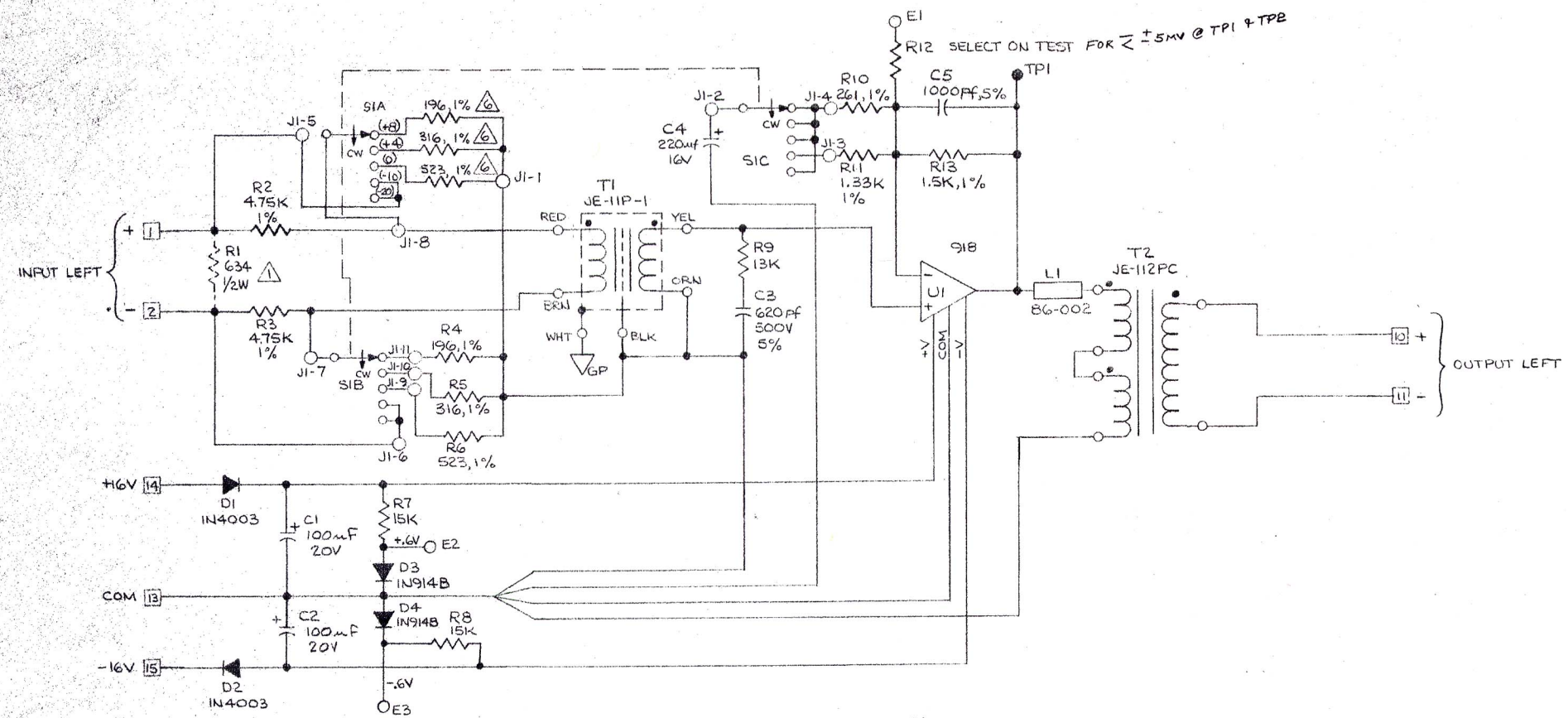


5. S1A, S1B CONTACTS ARE SHORTING, S1C CONTACTS ARE N.S.
- ⚠ SWITCH S2 OPTIONAL- NORMALLY JUMPED TO OUTPUT LEFT
3. SELECT R12 FOR OUTPUT OFFSET VOLTAGE $\leq \frac{1}{2}$ EMV (TPI)
2. JUMP E1 TO E3 TO CORRECT NEGATIVE OFFSET
1. JUMP E1 TO E2 TO CORRECT POSITIVE OFFSET

NOTES: UNLESS OTHERWISE SPECIFIED

QTY REQD	CODE IDENT	PART OR IDENTIFYING NO.	NOMENCLATURE OR DESCRIPTION
PARTS LIST			
UNLESS OTHERWISE SPECIFIED DIMENSIONS ARE IN INCHES, TOLERANCES ARE:		CONTRACT NO.	
FRACTIONS	DECIMALS	ANGLES	
±	.XX ±	±	
	.XXX ±		
MATERIAL		APPROVALS	
		DATE	
		DRAWN <i>Quayman</i> 5/15/77	
		CHECKED <i>Quayman</i> 6-21-77	
FINISH		SIZE	
		CODE IDENT NO.	
		DRAWING NO.	
		REV	
NEXT ASSY		C	
USED ON		125-SD-117	
APPLICATION		B	
DO NOT SCALE DRAWING		SHEET 1 OF 1	

REVISIONS				
ZONE	LTR	DESCRIPTION	DATE	APPROVED
	A	RELEASED	7/9/77	
	A	CHGD DWG # WAS 266-SD-004 ply	11-21-77	

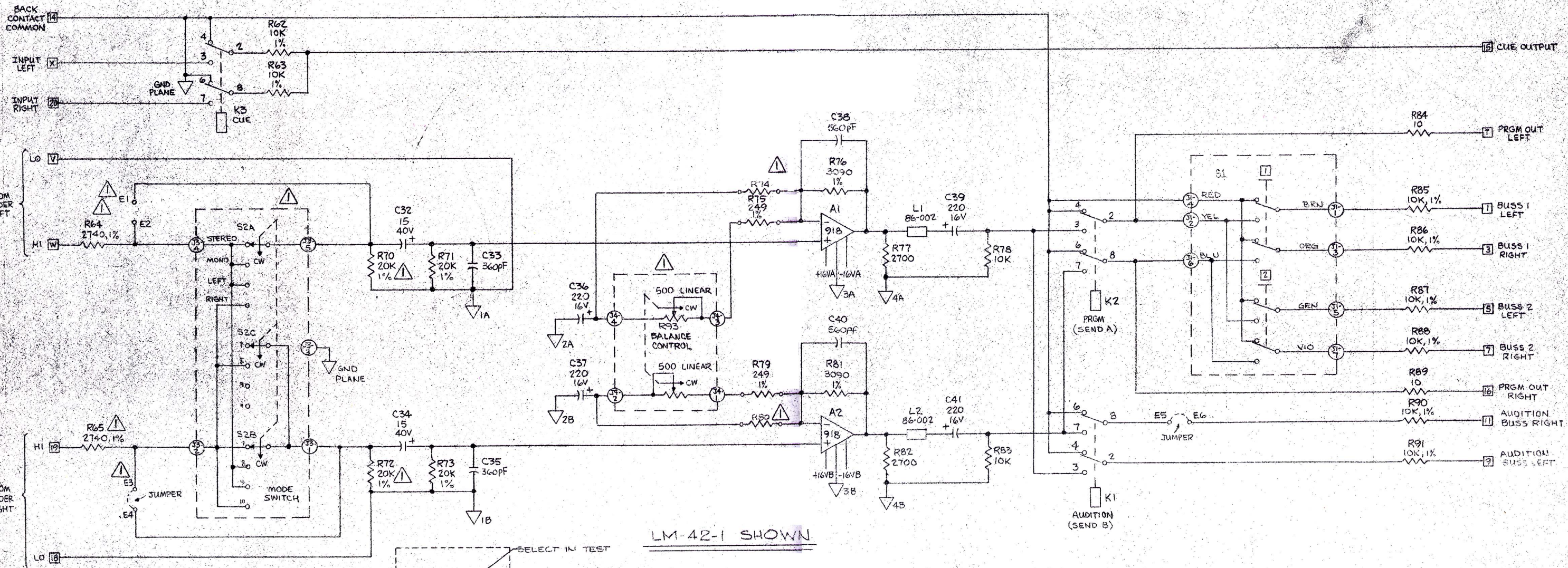


- 1. MOUNTED ON SWITCH
 - 2. S1A, B, D & E ARE SHORTING; S1C & F ARE NON-SHORTING.
 - 3. SELECT R12 & R26 FOR OUTPUT VOLTAGE $\leq \pm 5$ mV. (TP1, TP2)
 - 4. JUMP E1 TO E3 & E4 TO E6 TO CORRECT NEGATIVE OFFSET
 - 5. JUMP E1 TO E2 & E4 TO E5 TO CORRECT POSITIVE OFFSET
 - 6. R1 & R15 ARE OPTIONAL WHEN 600 Ω INPUT IS REQ'D
- NOTES: UNLESS OTHERWISE SPECIFIED

QTY REQD	CODE IDENT	PART OR IDENTIFYING NO.	NOMENCLATURE OR DESCRIPTION
PARTS LIST			
UNLESS OTHERWISE SPECIFIED DIMENSIONS ARE IN INCHES TOLERANCES ARE:		CONTRACT NO.	
FRACTIONS	DECIMALS	ANGLES	
\pm	.XX \pm	\pm	
	.XXX \pm		
MATERIAL		APPROVALS	DATE
FINISH		DRAWN <i>Weyman</i>	5-14-77
NEXT ASSY		CHECKED <i>Bilani</i>	6-21-77
USED ON		SCALE	
APPLICATION		DO NOT SCALE DRAWING	

PACIFIC RECORDERS AND ENGINEERING CORP.	
SCHEMATIC - AM 22 STEREO LINE INPUT MODULE	
SIZE	CODE IDENT NO. DRAWING NO.
D	125-SD-115
REV	A
SHEET 1 OF 1	

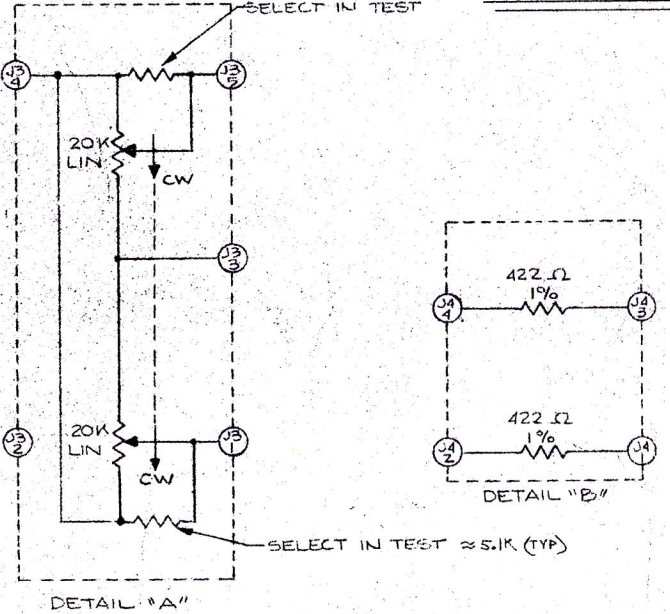
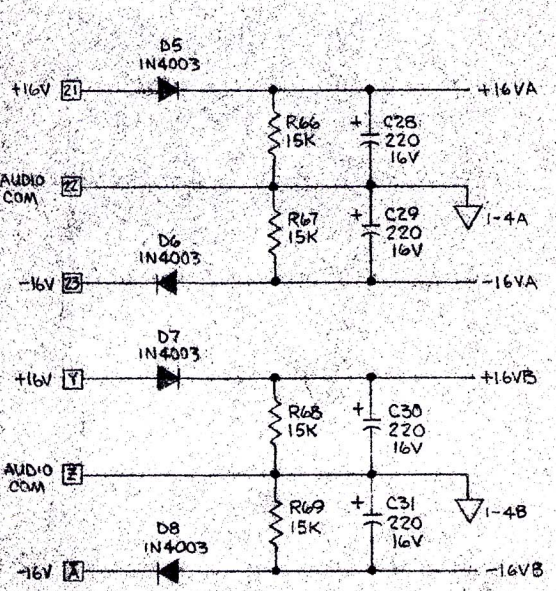
REVISIONS				
ZONE	LTR	DESCRIPTION	DATE	APPROVED



LM-42-1 SHOWN

TABLE

MODULE	E1 & E2	E3 & E4	R64	R65	R70	R72	R74	R80	J3	J4
LM-42	JUMPER	JUMPER	2740	2740	20K 1%	20K 1%	499	499	N/A	N/A
LM-42-1	N/A	N/A	2740	2740	20K 1%	20K 1%	N/A	N/A	AS SHOWN	AS SHOWN
LM-42-2	N/A	N/A	2740	2740	20K 1%	20K 1%	N/A	N/A	SEE DETAIL A	SEE DETAIL B



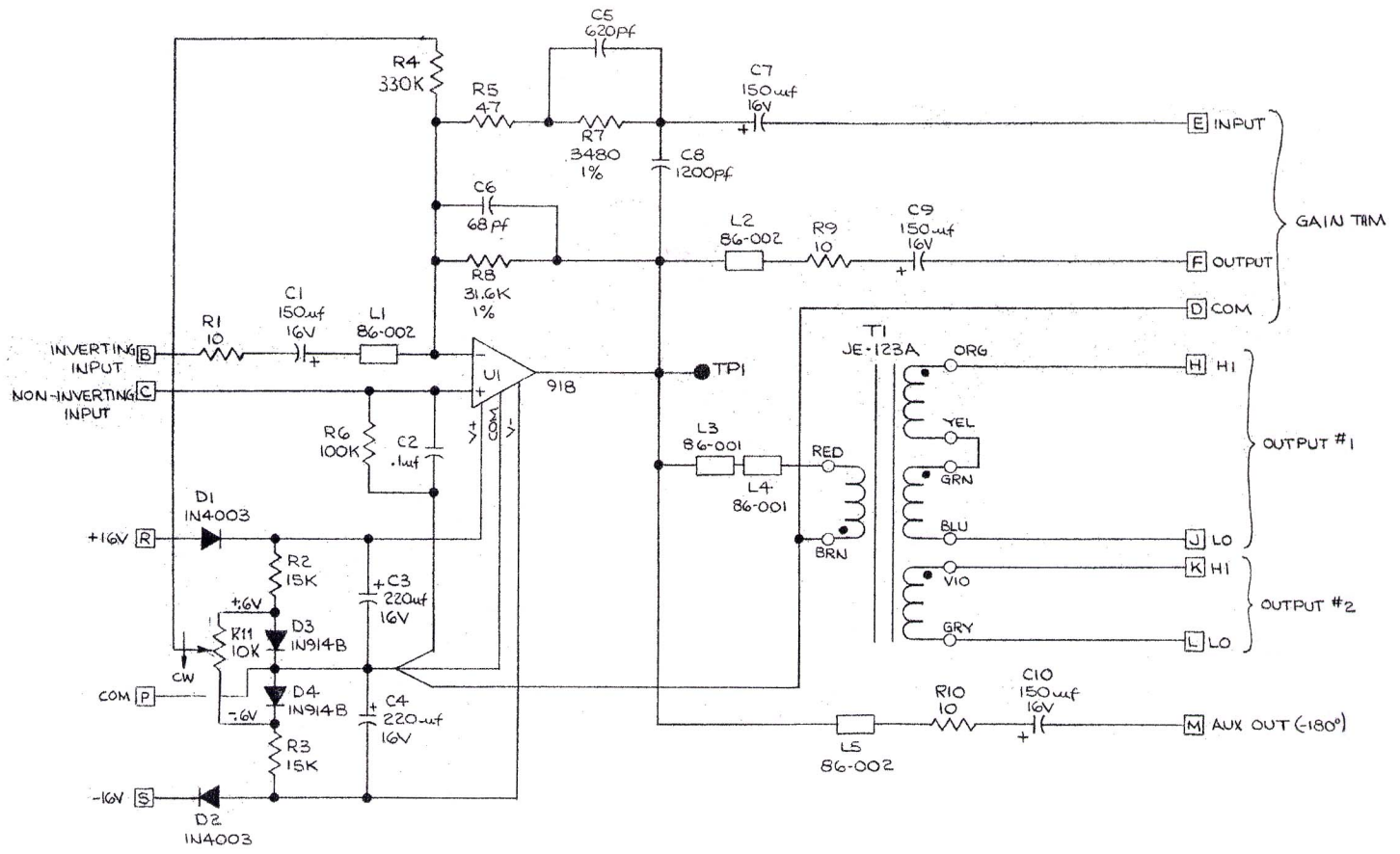
1. S2A, S2B, CONTACTS ARE SHORTING; S2C CONTACTS ARE NON-SHORTING;
 NOTES: UNLESS OTHERWISE SPECIFIED

QTY REQD	CODE IDENT	PART OR IDENTIFYING NO.	NOMENCLATURE OR DESCRIPTION

UNLESS OTHERWISE SPECIFIED DIMENSIONS ARE IN INCHES TOLERANCES ARE: FRACTIONS DECIMALS ANGLES ± .XXX ±		CONTRACT NO.
MATERIAL		APPROVALS DATE
FINISH		CHECKED DATE
NEXT ASSY	USED ON	
APPLICATION	DO NOT SCALE DRAWING	

PACIFIC RECORDERS AND ENGINEERING CORP.		
LM-42-2/1 SCHEMATIC - AUDIO STEREO LOGIC MODULE		
SIZE	CODE IDENT NO.	DRAWING NO.
D		125-SD-126
SCALE NONE		SHEET 2 OF 2

REVISIONS				
ZONE	LTR	DESCRIPTION	DATE	APPROVED
B		ADDED R11.	9-13-78	<i>[Signature]</i>



CA-1 GAIN CHART (w/ 10K SUMMING RES)

	OUTPUT #2 1:1		OUTPUT #1 1:2		OUTPUT #1+2 1:3	
	UNTERM	TERM 600Ω	UNTERM	TERM 600Ω	UNTERM	TERM 600Ω
MIN	-10.0 dB	-10.2 dB	-4 dB	-4.7 dB	-.5 dB	-1.8 dB
NOM	0 dB	-.2 dB	+6 dB	+5.3 dB	+9.5 dB	+8.2 dB
MAX	+10.0 dB	+9.8 dB	+16 dB	+15.3 dB	+19.5 dB	+18.2 dB
MAX LEVEL	+21.5 dBm	+21.2 dBm	+27.5 dBm	+26.5 dBm	+31 dBm	+29 dBm

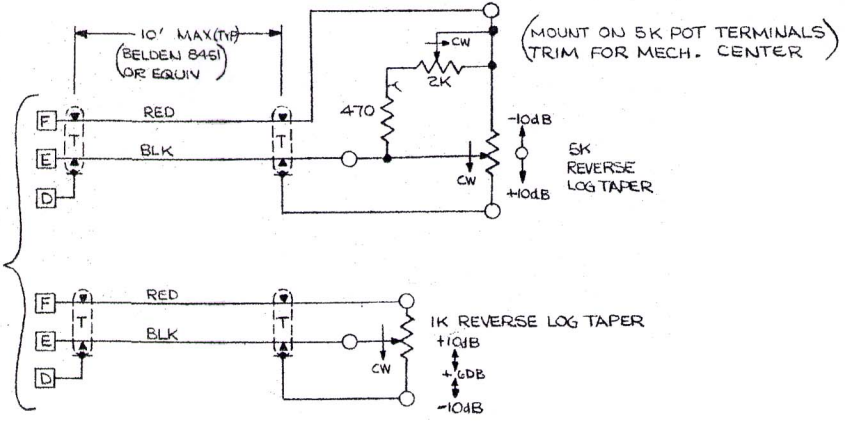


FIGURE 2
REMOTE GAIN CONTROL OPTIONS

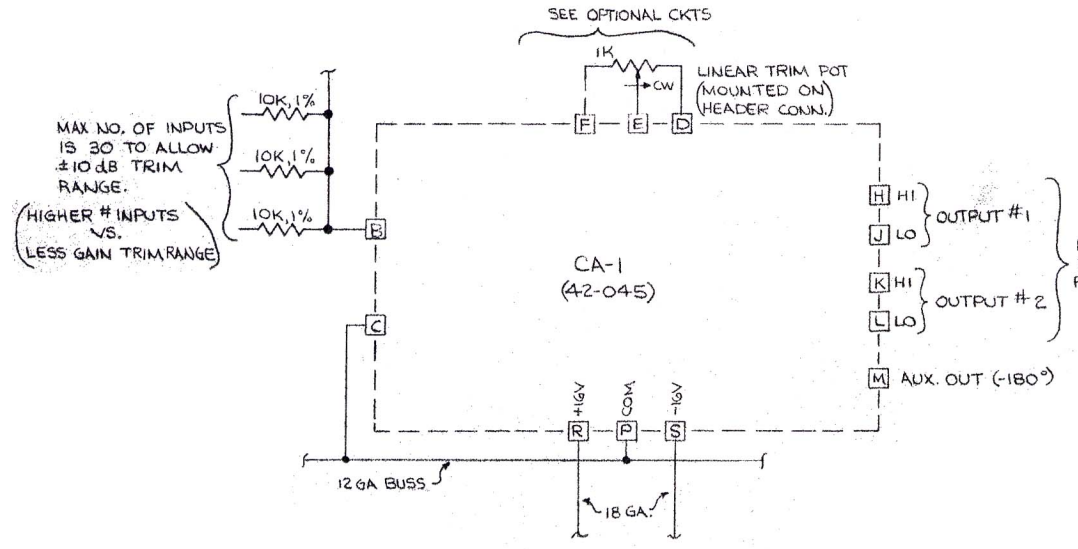


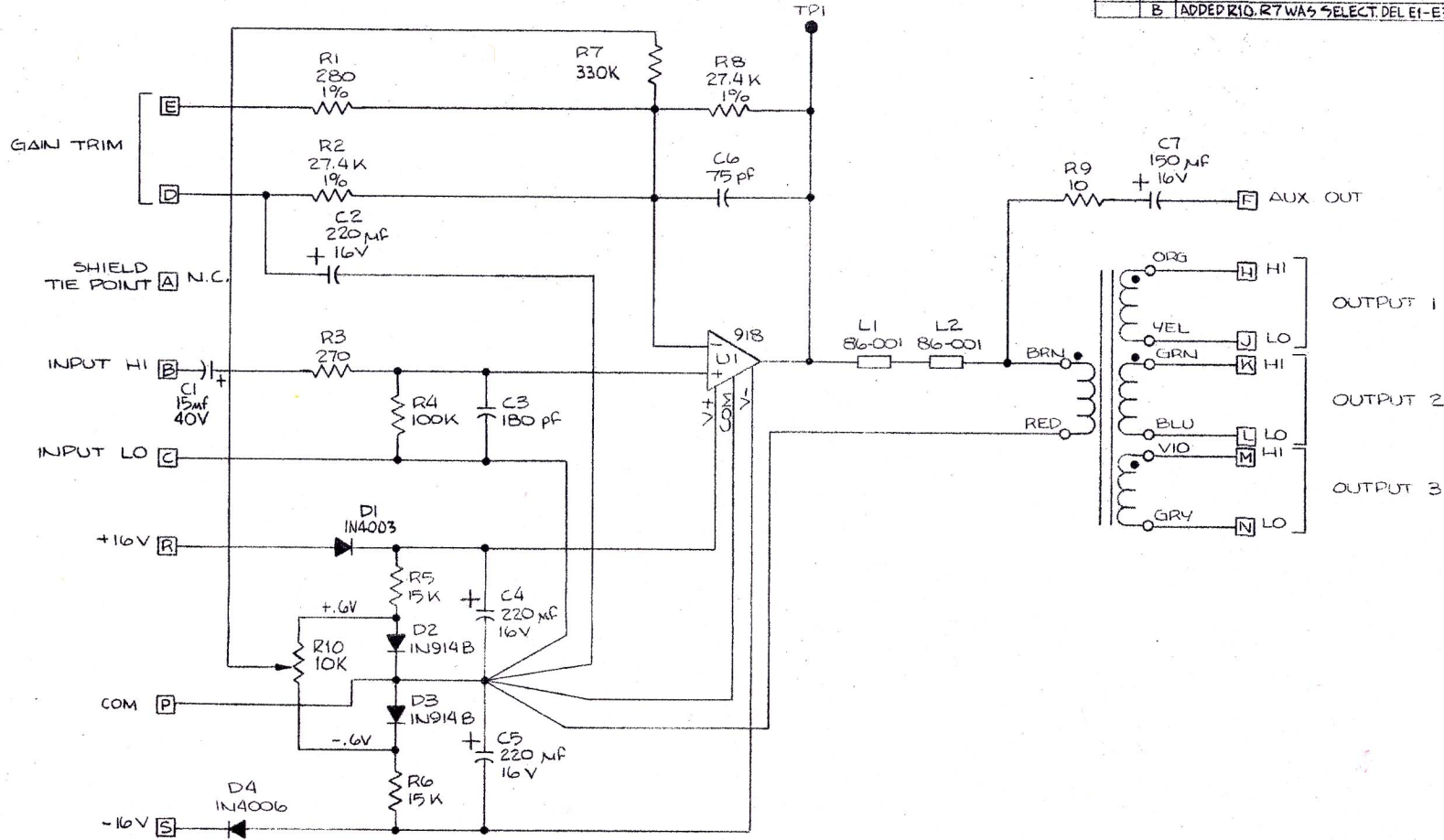
FIGURE 1
RECOMMENDED HOOK-UP DWG

BOARD P/N 42-045
BOARD ASSY # CA-1

QTY REQD	CODE IDENT	PART OR IDENTIFYING NO.	NOMENCLATURE OR DESCRIPTION
PARTS LIST			
UNLESS OTHERWISE SPECIFIED DIMENSIONS ARE IN INCHES TOLERANCES ARE:		CONTRACT NO.	
FRACTIONS	DECIMALS	ANGLES	
±	.XX ±	±	
	.XXX ±		
MATERIAL		APPROVALS	DATE
		<i>[Signature]</i>	7/19/77
		CHECKED	7-27-77
FINISH		SIZE	CODE IDENT NO.
		D	99-25
NEXT ASSY		DRAWING NO.	REV.
USED ON			B
APPLICATION		DO NOT SCALE DRAWING	

SCALE NONE SHEET 2 OF 2 SHEET 1 OF 2

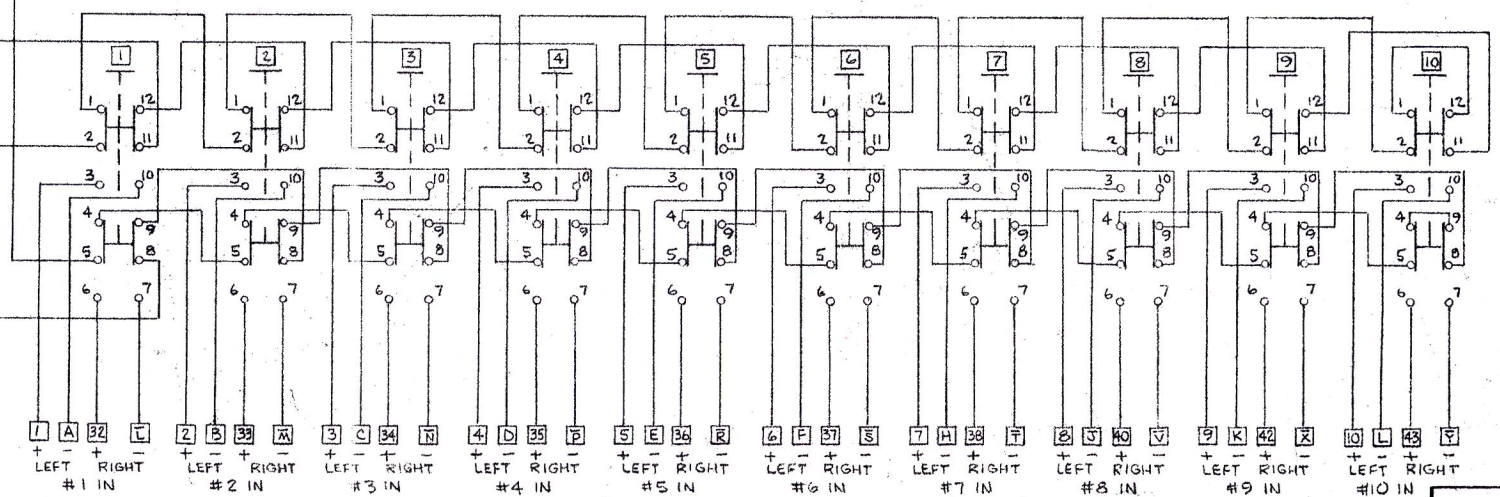
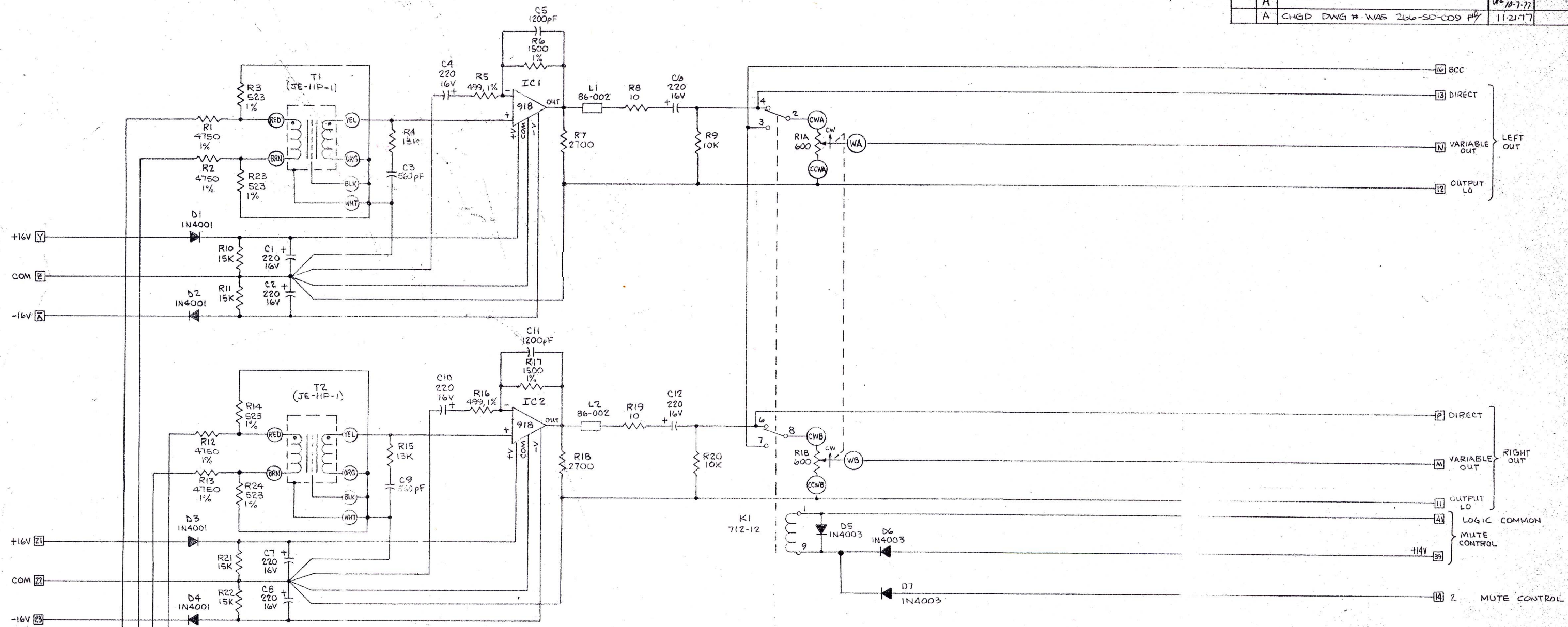
ZONE		REVISIONS		DATE	APPROVED
A	LTR	DESCRIPTION	PR	6-21-78	DR
B		ADDED R10, R7 WAS SELECT, DEL E1-E3	P.T.	9-8-78	ifm



QTY REQD	CODE IDENT	PART OR IDENTIFYING NO.	NOMENCLATURE OR DESCRIPTION
PARTS LIST			
UNLESS OTHERWISE SPECIFIED DIMENSIONS ARE IN INCHES TOLERANCES ARE:		CONTRACT NO.	
FRACTIONS ±	DECIMALS .XX ±	ANGLES ±	
MATERIAL		APPROVALS	DATE
		DRAWN p.r. hermon	6-21-78
		CHECKED DR	6-21-78
FINISH		PACIFIC RECORDERS AND ENGINEERING CORP. LINE AMPLIFIER DA-2	
NEXT ASSY USED ON			
APPLICATION		SIZE C	CODE IDENT NO.
			DRAWING NO. 99-24
			REV B
DO NOT SCALE DRAWING		SCALE	SHEET 1 OF 2

NOTES: (UNLESS OTHERWISE SPECIFIED)

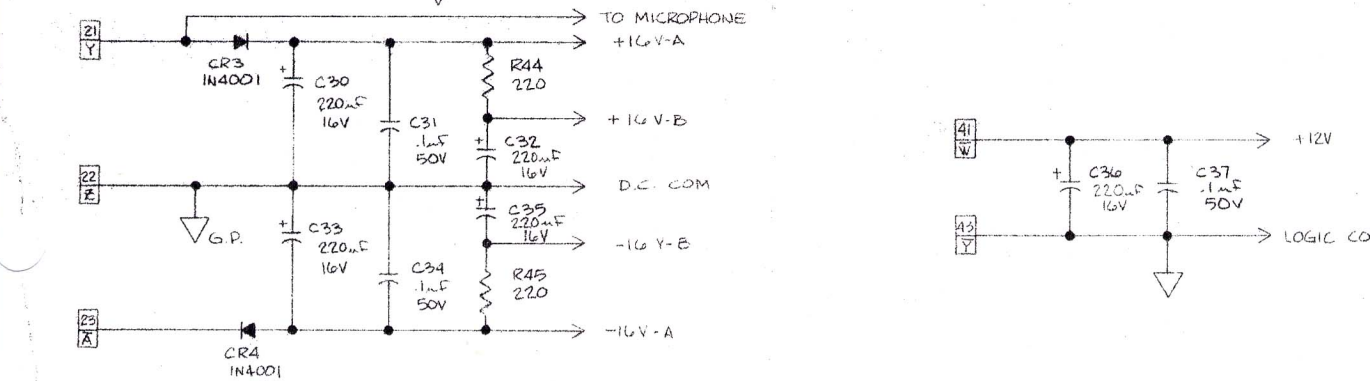
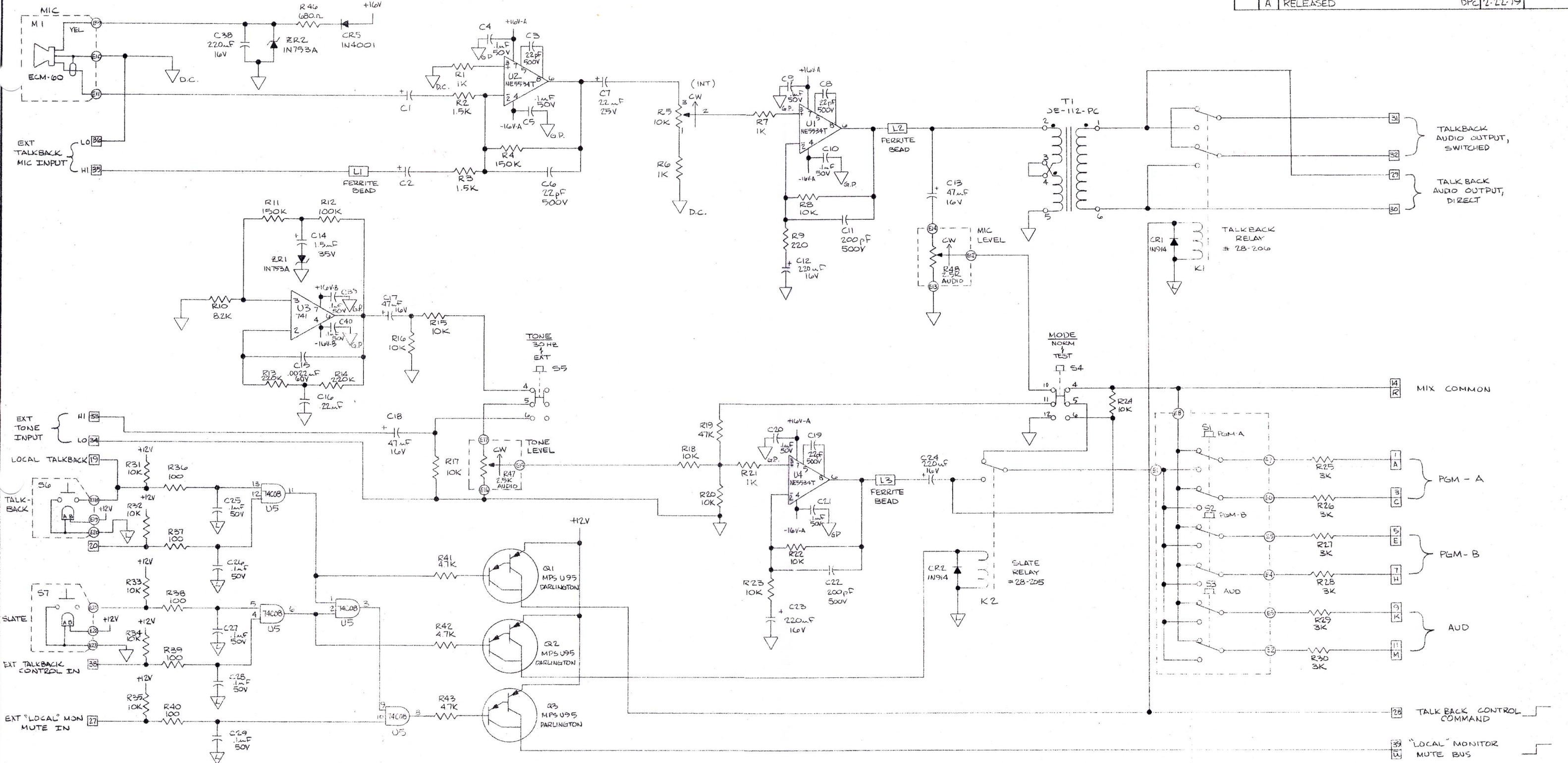
REVISIONS				
ZONE	LTR	DESCRIPTION	DATE	APPROVED
	A		10-7-77	
	A	CHGD DWG # WAS 266-SD-009 P1	11-21-77	



NOTES:
1. SWITCHES ARE 4 SERIES SCHADOW INTERLOCK (P/N 25-714)

QTY REQD	CODE IDENT	PART OR IDENTIFYING NO.	NOMENCLATURE OR DESCRIPTION
PARTS LIST			
UNLESS OTHERWISE SPECIFIED DIMENSIONS ARE IN INCHES TOLERANCES ARE:		CONTRACT NO.	
FRACTIONS	DECIMALS	ANGLES	
±	.XX ±	±	
	.XXX ±		
MATERIAL		APPROVALS	DATE
		DRAWN S. CAWZ	2-3-77
		CHECKED T. LADIS	6-21-77
FINISH		PACIFIC RECORDERS AND ENGINEERING CORP. SCHEMATIC - STEREO MONITOR SELECTOR MS-102	
NEXT ASSY USED ON		SIZE	CODE IDENT NO.
APPLICATION		D	125-SD-118
DO NOT SCALE DRAWING		DRAWING NO.	REL
			A
		SCALE NONE	SHEET 1 OF 1

ZONE		LTR		REVISIONS		DATE	APPROVED
A		RELEASED		DESCRIPTION		DPC	2-22-79



HIGHEST REF DESIG
 C 40 M 1
 E 23 U 5
 K 2 CR 5
 L 3 VR 2
 Q 3
 R 48
 S 7
 T 1

NOT PHYSICALLY ON PCB.

3. CAPACITANCE IS IN MICRO FARADS
 2. RESISTANCE IS IN OHMS
 1. RESISTORS ARE 1/4W 5%

NOTES: UNLESS OTHERWISE SPECIFIED

QTY REQD	CODE IDENT	PART OR IDENTIFYING NO.	NOMENCLATURE OR DESCRIPTION
PARTS LIST			
UNLESS OTHERWISE SPECIFIED DIMENSIONS ARE IN INCHES TOLERANCES ARE:		CONTRACT NO.	
FRACTIONS ±	DECIMALS .XX ±	ANGLES ±	APPROVALS
			DATE
MATERIAL		DRAWN D CHARITY 2-22-79	
FINISH		CHECKED	
NEXT ASSY USED ON		SIZE CODE IDENT NO. DRAWING NO.	
APPLICATION		DO NOT SCALE DRAWING	
		SCALE	
		SHEET 1 OF	

PACIFIC RECORDERS AND ENGINEERING CORP.

SCHEMATIC -
SLATE / TALKBACK

SIZE **D** CODE IDENT NO. **90-122** DRAWING NO. **90-122** REV **A**